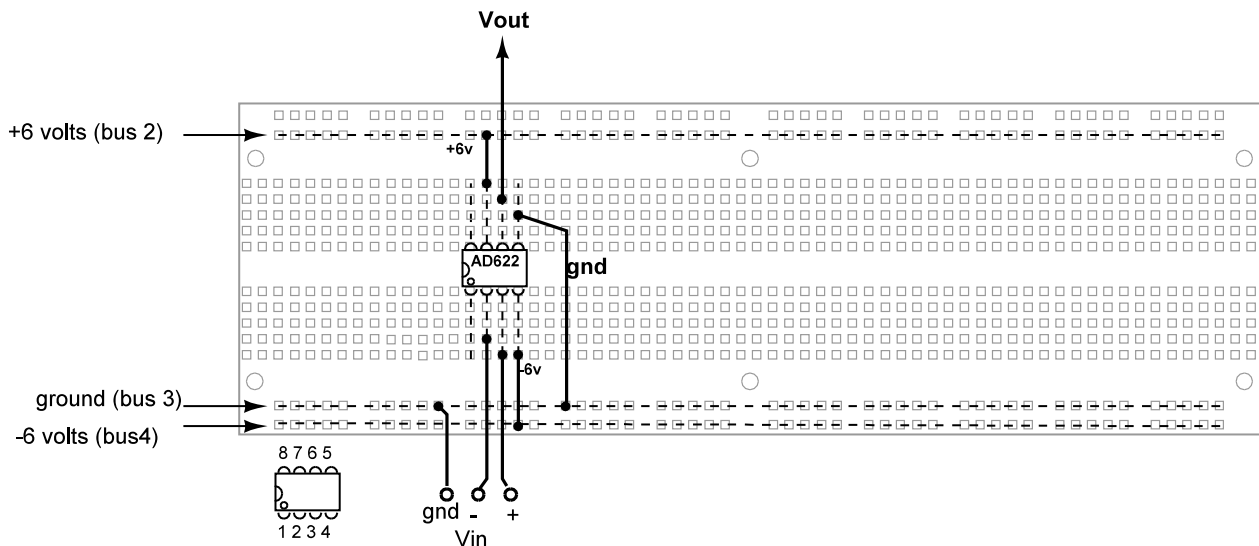
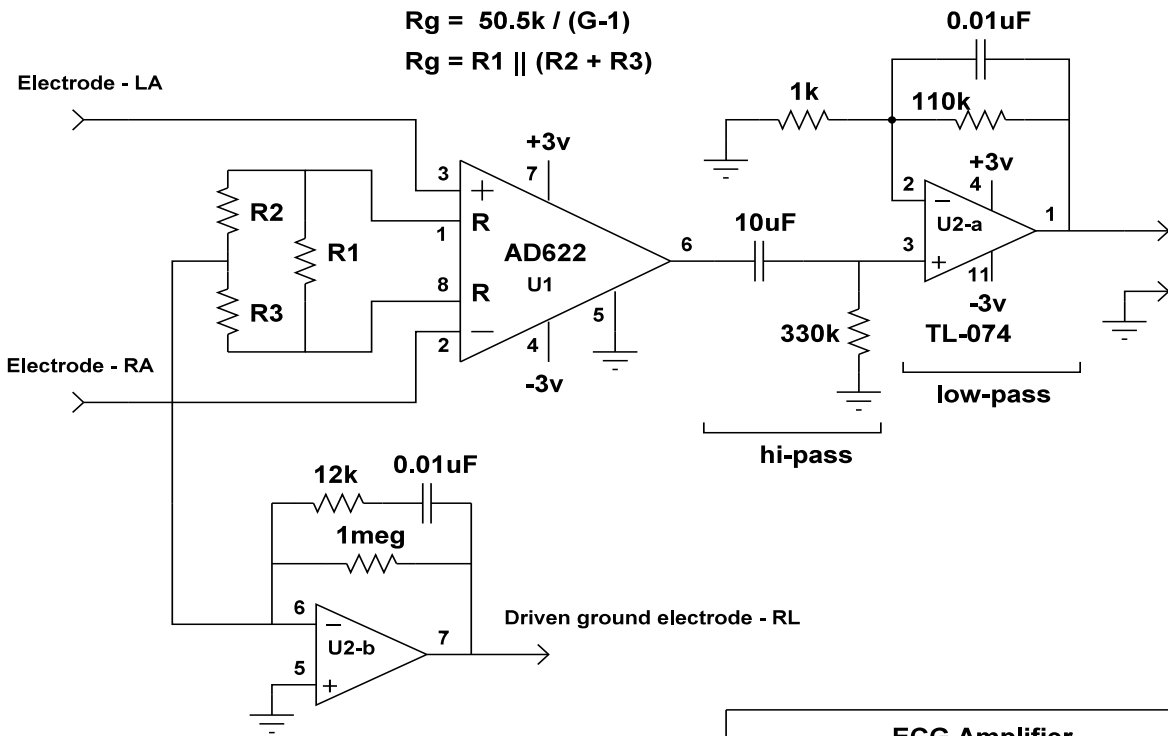


ENGR-384  
Lab #8

The goal of this lab is to construct and use an amplifier to obtain a display of the ECG waveform from a person.

- 1) Calculate values for R1, R2, R3 to obtain a gain of 10 for the instrumentation amplifier
- 2) Build the circuit
- 3) Use two 4-cell battery sets to power the circuit with + and - 6 volts
- 4) For the first test, apply a small, 1mv, 25 hz signal to the input and confirm circuit operation.
- 5) Connect electrodes. For this first test, the third electrode is circuit ground.  
Record results
- 6) Connect the driven ground as the third electrode.  
Record results





ECG Amplifier		
L. Aamodt		